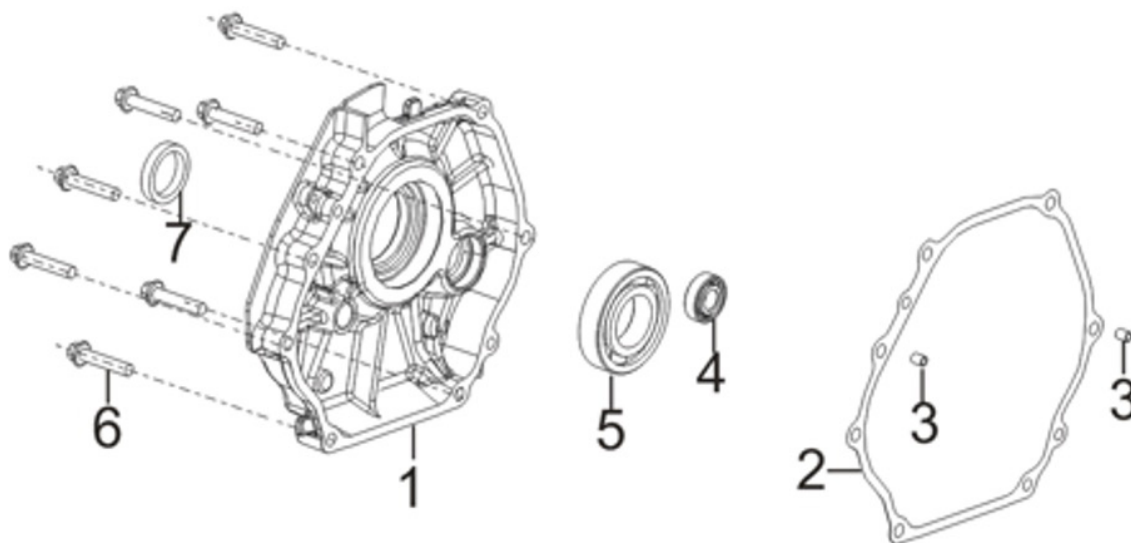


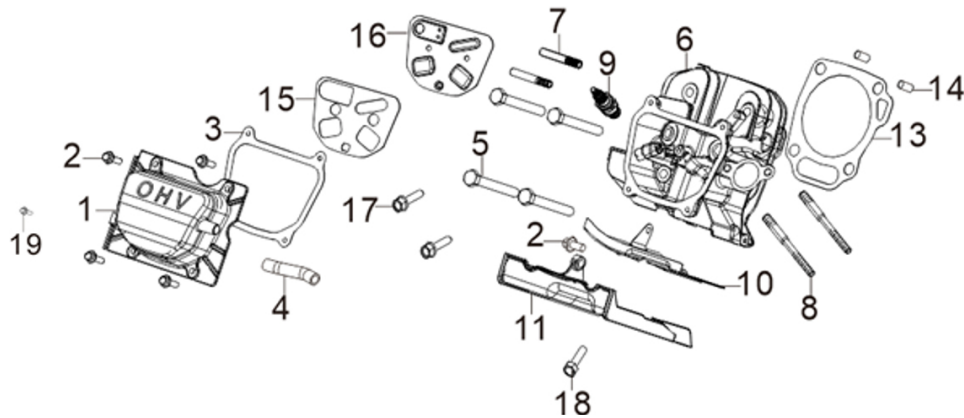
## MOTORBLOKK

Pos.	Delenr. original	Delenr. MEGA	Beskrivelse ENG	Beskrivelse NOR	Antall
1	11310-Z1E0110-0B00		CRANKCASE SUBASSEMBLY.		1
2	37060-Z080120-00A0		SENSOR, ENGINE OIL		1
3	90001-0616-01A0		BOLT		2
4	90305-Z010210-01A0		HEXAGON NUT WITH FLANGE		1
5	30300-Z980120-00A0		STARTING MOTOR ASSEMBLY		1
6	90001-0825-01A0		BOLT		2
7	90548-0202-CLA0		DEEP GROOVE BALL BEARING		1
8	30400-Z1E0311-00A0		COIL, IGNITION		1
9	90001-0625-01A0		BOLT		2
10	30130-Z1E0110-00A0		TRIGGER ASSY.		1
11	90001-0516-01A0		BOLT		2
12	28118-Z1E0110-0000		WIND BLOCK		1
13	90001-0612-01A0		BOLT		5
14	12014-Z1E0210-00A0		CYLINDER HEAD WIND DEFLECTOR		1
15	19351-Z1E0110-0000		SHIELD, CRANKCASE REAR		1
16	90001-0616-01A0		BOLT		2
17	15010-Z080131-Q5A0		DIPSTICK SUBASSEMBLY, OIL		1
18	30002-Z1E0110-0000		CLAMP, MAGNETO WIRING		1
19	90408-Z010510-00A0		FLAT WASHER - GRADE A		1
20	90685-D160-0EA0		PIPE CLAMP		1
21	90689-Z430211-00A0		JOINT, FUEL TUBE		1
22	11011-Z1E0110-00A0		TUBE, OIL DRAIN		1
23	90689-Z430110-00A0		JOINT, FUEL TUBE		1
24	15030-Z010130-Q5A0		PLUG SUBASSEMBLY, ENGINE OIL		1
25	90682-Z0J0110-00A0		SEAL, OIL		1
26	19306-Z1E0110-00A0		DEFLECTOR, CRANKCASE AIR		1
27	90684-Z010310-00A0		WIRE CLIP		1
28	90685-D160-0EA0		PIPE CLAMP		1
29	90305-0600-3101		HEXAGON NUT WITH FLANGE		1
30	90204-Z800310-01A0		STUD BOLT (BM=2D)		1



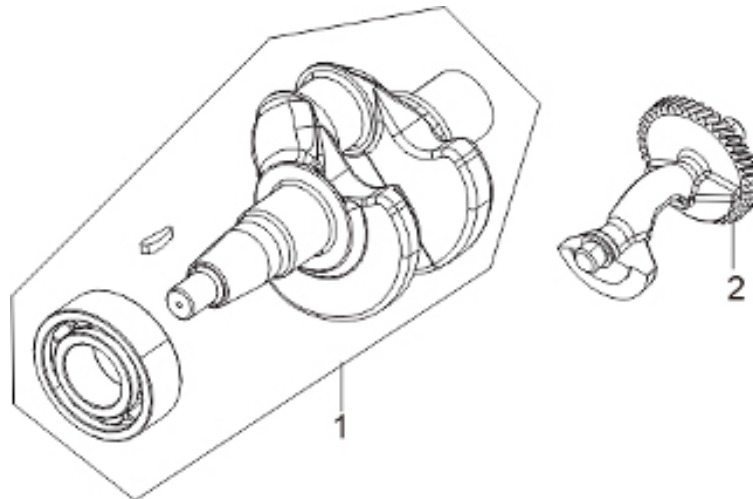
## VEIVHUSDEKSEL

Pos.	Delnr. original	Delnr. MEGA	Beskrivelse ENG	Beskrivelse NOR	Antall
1	11411-Z1E0110-0B00		COVER, CRANKCASE		1
2	11001-Z100220-00A0		GASKET, CRANKCASE		1
3	90502-0812-00A0		POSITION PIN		2
4	90548-0202-CLA0		DEEP GROOVE BALL BEARING		1
5	90547-0207-CLTM		DEEP GROOVE BALL BEARING		1
6	90001-0840-01A0		BOLT		7
7	90682-Z100110-00A0		SEAL, OIL		1



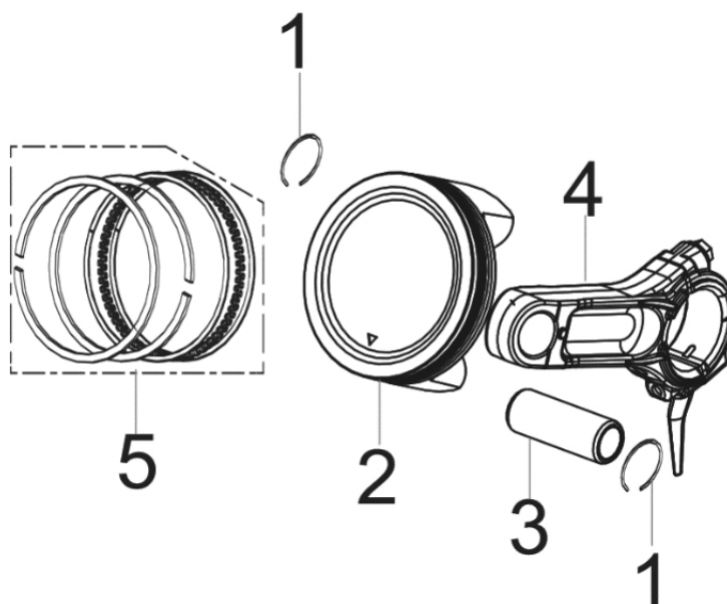
## TOPPLOKK

Pos.	Delennr. original	Delennr. MEGA	Beskrivelse ENG	Beskrivelse NOR	Antall
1	12410-Z1E0110-0B00		COVER SUBASSEMBLY, CYLINDER HEAD		1
2	90001-0620-01A0		BOLT		5
3	12004-Z1E0110-0000		CYLINDER HEAD COVER GASKET		1
4	17004-Z1E0310-00A0		TUBE, BREATHER		1
5	12003-Z080110-00A0		CYLINDER HEAD BOLT		4
6	12140-Z1E0310-0BA0		HEAD SUBASSEMBLY, CYLINDER		1
7	90204-Z940210-03A0		STUD BOLT (BM=2D)		2
8	90204-Z0C0310-03A0		STUD BOLT		2
9	30010-Z050110-00A0		PLUG, SPARK		1
10	12014-Z1E0110-00A0		CYLINDER HEAD WIND DEFLECTOR		1
11	19305-Z1E0110-0000		SHROUD 2, CYLINDER BODY		1
13	12131-Z190510-00A0		GASKET, CYLINDER HEAD		1
14	90502-1220-00A0		POSITION PIN		2
15	11332-Z1E0110-0000		GASKET, BREATH GROOVE		1
16	11320-Z1E0110-0000		STOP ENGINE PIECE SUBASSEMBLY		1
17	90001-0512-01A0		BOLT		2
18	37009-Z1E0110-00A0		SENSOR, TEMPERATURE		1
19	90007-0520-A1A0		HEXAGON SOCKET FLANGE FACE BOLT - BIG SERIES - GRADE B		1



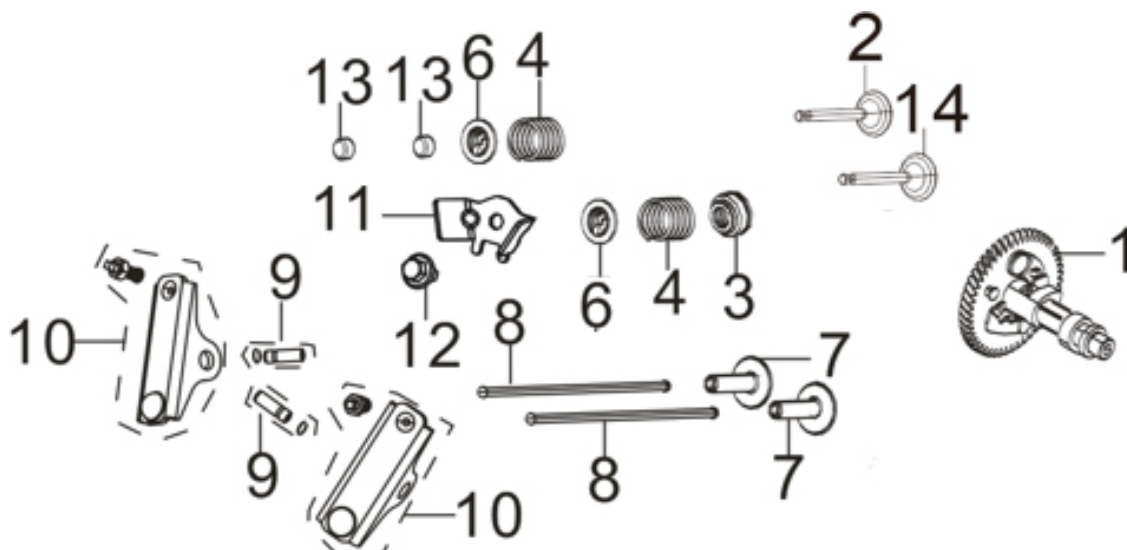
## VEIVAKSEL

Pos.	Delenr. original	Delenr. MEGA	Beskrivelse ENG	Beskrivelse NOR	Antall
1	13300-Z1E0211-0000		CRANKSHAFT ASSY.		1
2	13400-Z190320-00A0		SHAFT ASSY, BALANCING		1



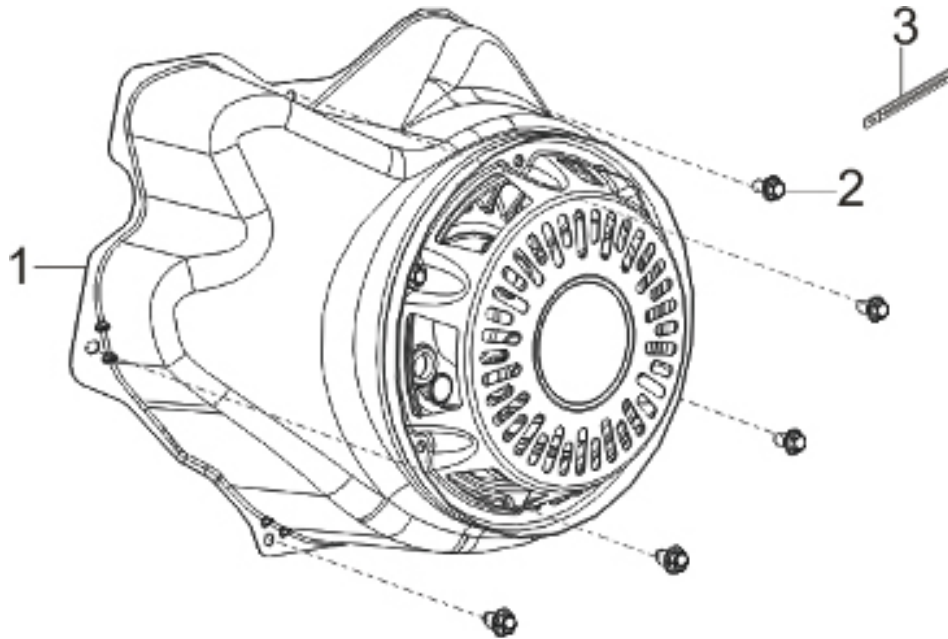
## RÅDE OG STEMPEL

Pos.	Delenr. original	Delenr. MEGA	Beskrivelse ENG	Beskrivelse NOR	Antall
1	13122-Z100110-00A0		CLIP, PISTON PIN		2
2	13111-Z0J0110-00A0		PISTON		1
3	13121-Z100110-00A0		PIN, PISTON		1
4	13010-Z190121-00A0		ROD, CONNECTING		1
5	13200-Z190210-00A9		RING ASSY, PISTON		1



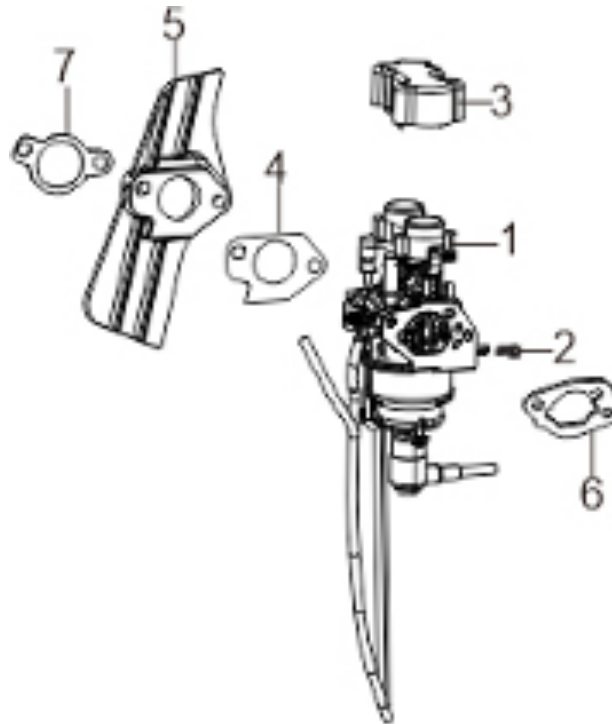
## VENTILER

Pos.	Delenr. original	Delenr. MEGA	Beskrivelse ENG	Beskrivelse NOR	Antall
1	14200-Z190810-00A0		CAMSHAFT ASSY.		1
2	12111-Z0J0210-0000		VALVE, INTAKE		1
3	12101-Z810110-00A0		GUIDE, SEAL		1
4	12103-Z990110-00A0		SPRING, VALVE		2
6	12107-Z010110-00A0		RETAINER, EXHAUST VALVE		2
7	14081-Z080110-00A0		TAPPET, VALVE		2
8	14070-Z0J0110-00A0		LIFTER SUBASSEMBLY, VALVE		2
9	14318-Z0J0110-00A0		SHAFT SUBASSEMBLY, ROCKER		2
10	14310-Z0J0111-00A0		ROCKER SUBASSEMBLY, VALVE		2
11	12419-Z950311-00A0		CYLINDER HEAD COVER PIN LIMIT PLATE		1
12	90001-0612-01A0		BOLT		1
13	12104-Z010110-00A0		ROTATOR, VALVE		2
14	12121-Z0J0410-00A0		VALVE, EXHAUST		1



## STARTAPPARAT

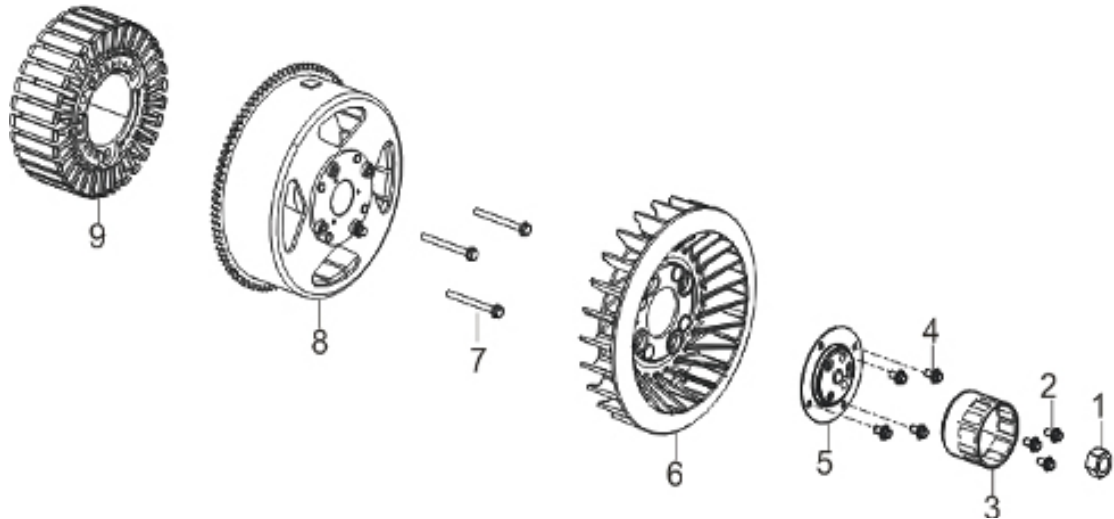
Pos.	Delnr. original	Delnr. MEGA	Beskrivelse ENG	Beskrivelse NOR	Antall
1	28100-Z1E0111H7H7B		MANUAL STARTING ASSEMBLY		1
2	90001-0612-01A0		HEXAGON SOCKET FLANGE FACE BOLT - SMALL SERIES		5
3	90684-Z010310-00A0		WIRE CLIP		1



## FORGASSER

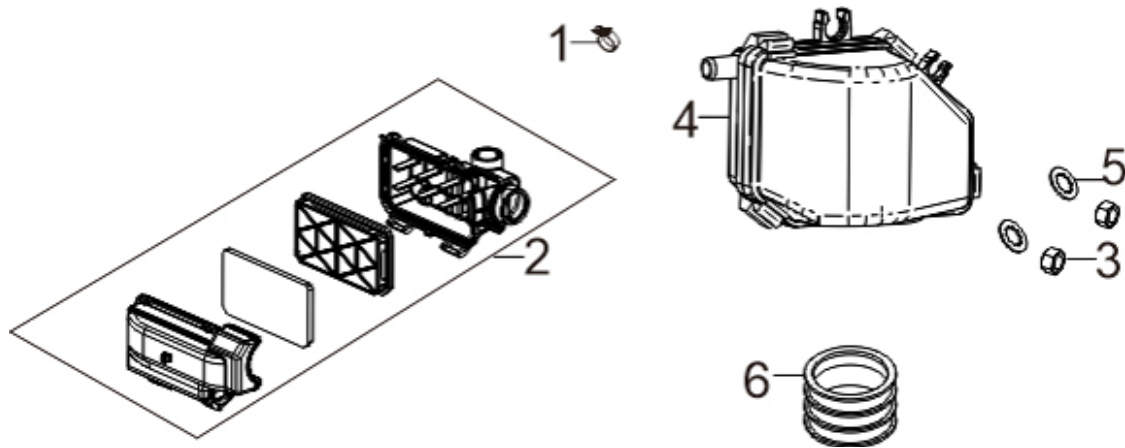
Pos.	Delnr. original	Delnr. MEGA	Beskrivelse ENG	Beskrivelse NOR	Antall
1	16100-Z1E0212-00A0		CARBURETOR ASSY.		1
2	16652-Z800110-00A0		STRAINER, FUEL		1
3	14411-Z1E0110-00A0		CAP		1
4	16001-Z100110-00A0		CARBURETOR SEAL GASKET		1
5	16003-Z1E0110-0000		PLATE, CARBURETOR INSULATOR		1
6	17001-Z520210-00A0		AIR CLEANER SEAL GASKET		1
7	17002-Z0J0110-00A0		GASKET, INLET		1





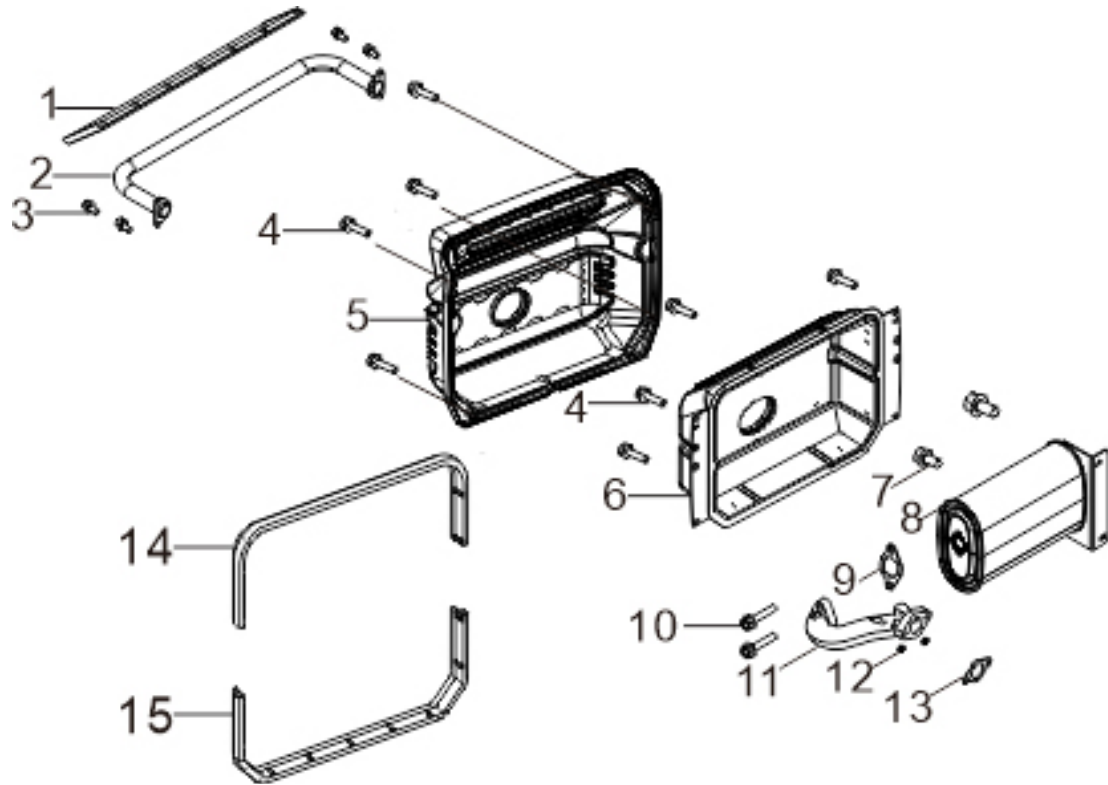
## GENERATOR

Pos.	Delennr. original	Delennr. MEGA	Beskrivelse ENG	Beskrivelse NOR	Antall
1	13501-Z080111-00A0		NUT, FLYWHEEL		1
2	90001-0612-01A0		BOLT		3
3	28002-Z1E0110-00A0		PULLEY, STARTER		1
4	90001-0612-01A0		HEXAGON SOCKET FLANGE FACE BOLT - SMALL SERIES		4
5	28020-Z150120-00A0		SEAT, STARTER CUP		1
6	19352-Z980110-00A0		IMPELLER		1
7	90007-0665-A1A0		BOLT		3
8	30110-YCM0210-00A0		CASE SUBASSEMBLY, MAGNETO ROTOR		1
9	30120-YN50211-00A0		STATOR SUBASSEMBLY, MAGNETO		1



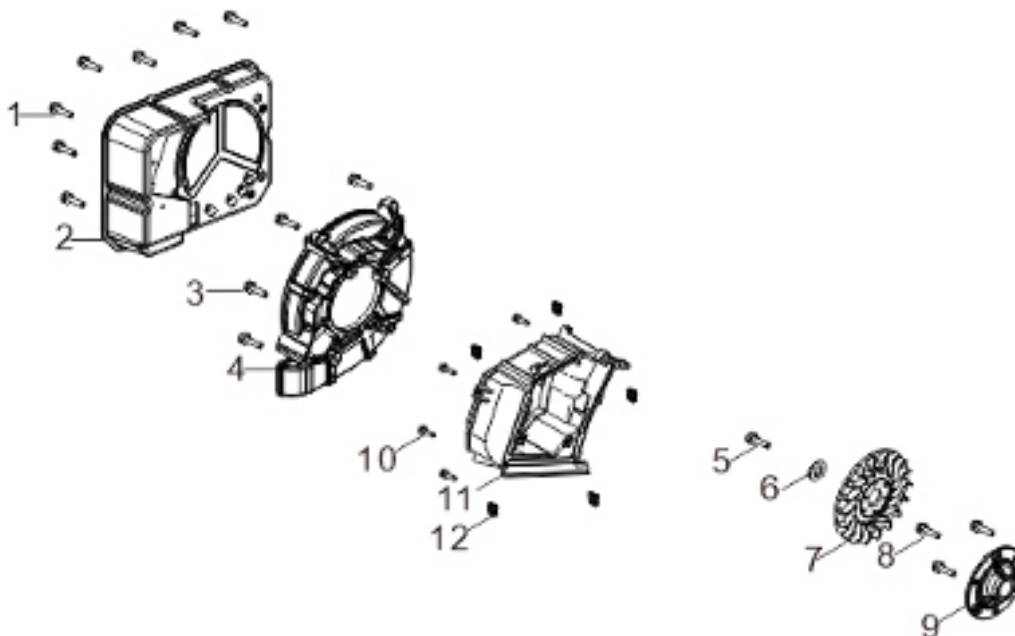
## LUFTFILTER

Pos.	Delnr. original	Delnr. MEGA	Beskrivelse ENG	Beskrivelse NOR	Antall
1	90685-D090-0EA0		PIPE CLAMP		1
2	17100-Z1E0311-00A0		AIR CLEANER		1
3	90305-0600-31A0		HEXAGON NUT WITH FLANGE		2
4	17400-Z1E0112-0000		SECONDARY AIR FILTER		1
5	37073-Z1E0110-0000		SPRING CLAMP		2
6	12510-Z1E0110-00A0		TUBE, INTAKE		1



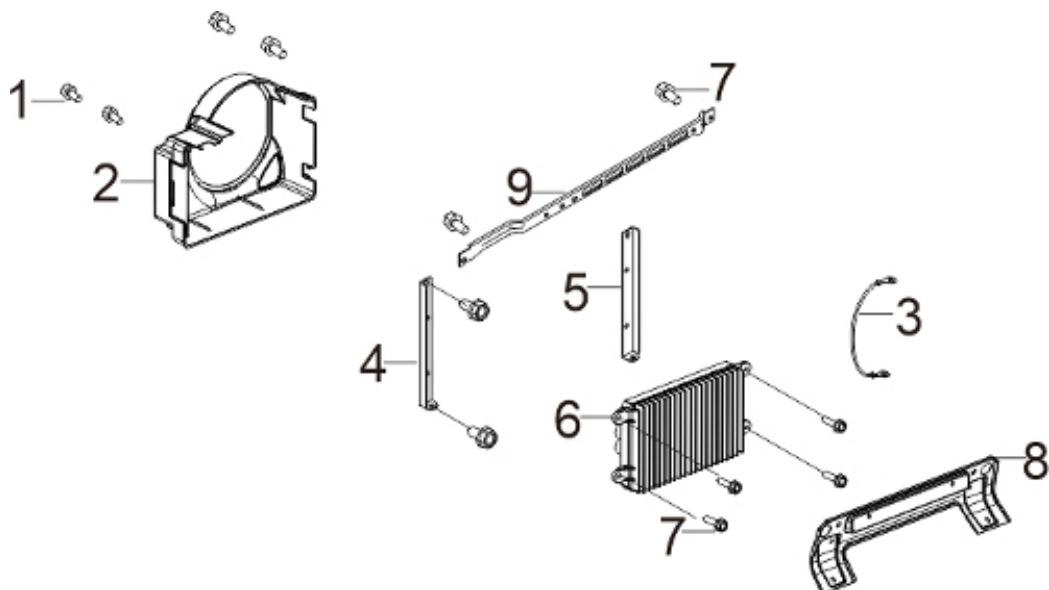
## EKSOSPOTTE

Pos.	Delennr. original	Delennr. MEGA	Beskrivelse ENG	Beskrivelse NOR	Antall
1	30214-YFA0210-00A0		SEAL GASKET		1
2	51001-YGC0110-H7A0		BAR, TRANSVERSE		1
3	90001-0620-03A0		BOLT		4
4	90001-0630-03A0		HEXAGON SOCKET FLANGE FACE BOLT - SMALL SERIES		8
5	16673-YGC0110-Q2A0		SHIELD		1
6	18130-YGC0110-H7A0		MUFFLER OUTER COVER		1
7	90001-0820-01A0		HEXAGON SOCKET FLANGE FACE BOLT - SMALL SERIES		2
8	18100-YFA0110-00A0		MUFFLER ASSY.		1
9	18001-Z190110-00A0		GASKET, EXHAUST OUTLET		1
10	90001-YGC0110-00A0		HEXAGON SOCKET FLANGE FACE BOLT - SMALL SERIES		2
11	18150-YFA0110-00A0		PIPE, EXHAUST		1
12	90303-0800-33A0		TYPE 1 HEXAGONAL NUT		2
13	18001-Z1X0110-00A0		GASKET, EXHAUST OUTLET		1
14	18005-YGC0110-00A0		CUSHION, MUFFLER INSULATOR RUBBER		1
15	18005-YGC0210-00A0		CUSHION, MUFFLER INSULATOR RUBBER		1



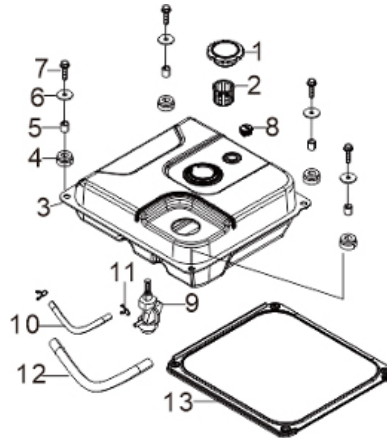
## ?? MUFFLER ASSY.

Pos.	Delenr. original	Delenr. MEGA	Beskrivelse ENG	Beskrivelse NOR	Antall
1	90001-0616-03A0		HEXAGON SOCKET FLANGE FACE BOLT - SMALL SERIES		6
2	18003-YGC0110-H7A0		COVER, MUFFLER INNER		1
3	90001-0825-01A0		HEXAGON SOCKET FLANGE FACE BOLT - SMALL SERIES		4
4	28110-YFA0110-00A0		SHROUD		1
5	90002-1030-01		HEXAGON SOCKET FLANGE FACE BOLT - SMALL SERIES		1
6	90408-Y030110-0100		FLAT WASHER - GRADE A		1
7	19352-YFA0110-00A0		IMPELLER		1
8	90001-0612-01A0		HEXAGON SOCKET FLANGE FACE BOLT - SMALL SERIES		3
9	13515-YFA0110-0000		TRAY, IMPELLER SETTING		1
10	90007-0516-A3A0		HEXAGON SOCKET FLANGE FACE BOLT - BIG SERIES - GRADE B		4
11	28110-YGC0110-00A0		SHROUD		1
12	17199-YE50210-01A0		CLIP NUT		5



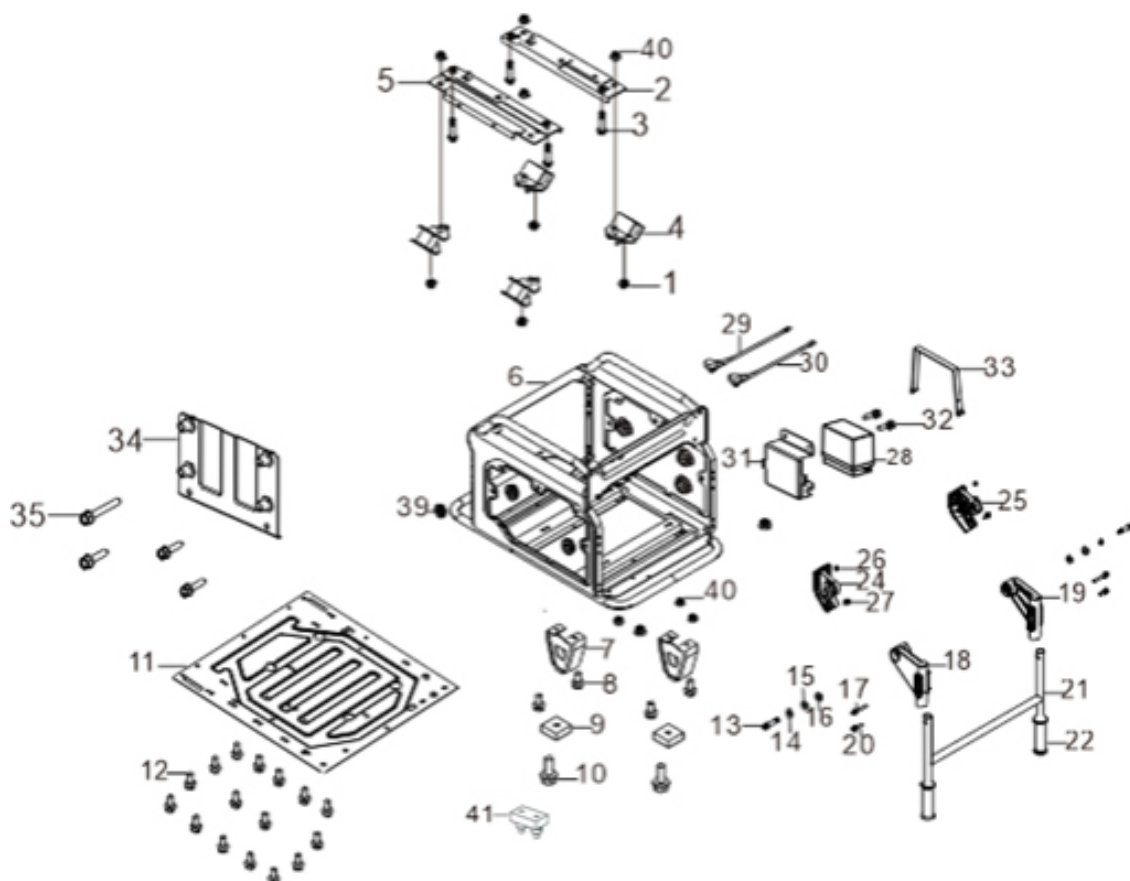
## INVERTERMODUL

Pos.	Delennr. original	Delennr. MEGA	Beskrivelse ENG	Beskrivelse NOR	Antall
1	90001-0620-03A0		HEXAGON SOCKET FLANGE FACE BOLT - SMALL SERIES		4
2	30041-YGC0110-Q2A0		COVER, INVERTOR INNER		1
3	30009-YJE0110-00A0		GROUNDING		1
4	30081-YGC0110-H7A0		INVERTOR MOUNTING RACK		1
5	30081-YGC0210-H7A0		INVERTOR MOUNTING RACK		1
6	30043-YN50210-00A0		INVERTOR		1
7	90001-0612-03A0		HEXAGON SOCKET FLANGE FACE BOLT - SMALL SERIES		6
8	51150-YGC0210-H7A0		CROSSPIECE SUBASSEMBLY		1
9	30081-YGC0310-H7A0		INVERTOR MOUNTING RACK		1



## DRIVSTOFFTANK

Pos.	Delenr. original	Delenr. MEGA	Beskrivelse ENG	Beskrivelse NOR	Antall
1	16730-YN60110-H7A0		COVER, FUEL TANK		1
2	16652-Y9X0110-00A0		STRAINER, FUEL		1
3	16620-YN50110-R8A0		FUEL TANK		1
4	16601-Y020120-00A0		SLEEVE, FUEL TANK RUBBER		4
5	90683-Y020110-00A0		BUSH		4
6	90408-Y090110-00A0		FLAT WASHER		4
7	90001-0630-03A0		BOLT		4
8	37200-Y2V0110-00A0		LEVELER ASSY, OIL		1
9	16750-YA40211-00A0		COCK ASSY, FUEL		1
10	90686-Z0D0710-00M1		TUBE, FUEL		1
11	90685-D085-0EA0		PIPE CLAMP		2
12	30431-Z010310-00A0		JACKET, RUBBER		1
13	35671-YRJ0110-00B0		WATERPROOF ADHESIVE TAPE		1

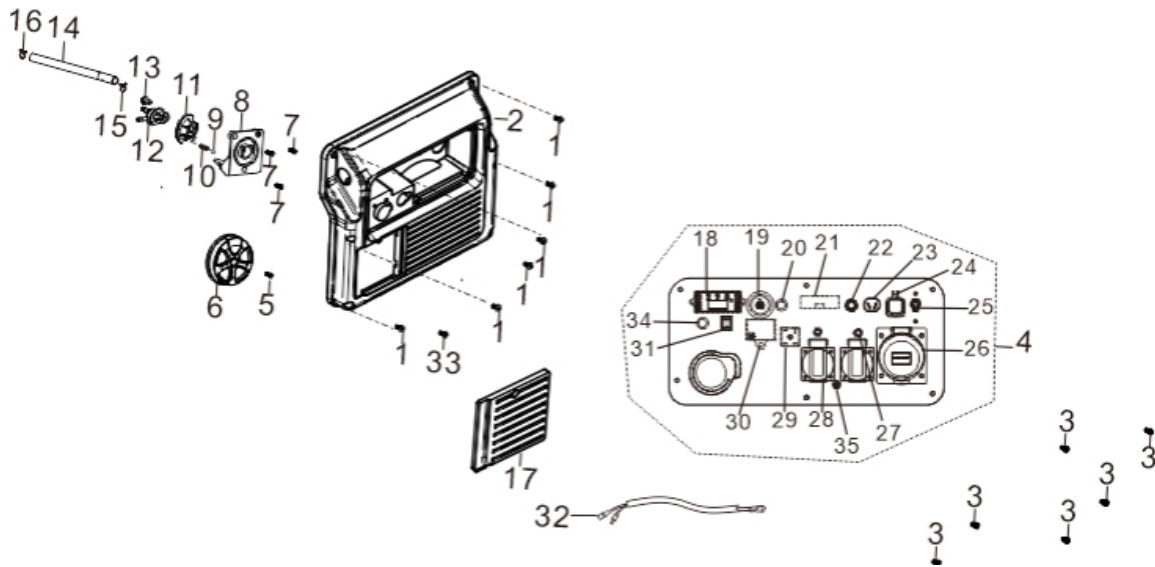


## RAMME

Pos.	Delenr. original	Delenr. MEGA	Beskrivelse ENG	Beskrivelse NOR	Antall
1	90305-0800-31A0		HEXAGON NUT WITH FLANGE		8
2	51002-YRJ0110-H7A0		ENGINE FIXED BOTTOM PLATE		1
3	90002-1040-01A0		HEXAGON SOCKET FLANGE FACE BOLT - SMALL SERIES		4
4	51005HYN40110-00A0		CUSHION, ENGINE FRAME		4
5	51002-YRJ0210-H7A0		ENGINE FIXED BOTTOM PLATE		1
6	51100-YGC0410-H7B0		FRAME ASSY, ENGINE		1
7	51016-YGC0110-H7A0		SUPPORT, ENGINE FRAME SHOCK ABSORPTION		2
8	90001-0816-03A0		HEXAGON SOCKET FLANGE FACE BOLT - SMALL SERIES		4
9	51014HY940110-00A0		SEAT, ENGINE FRAME SHOCK ABSORPTION		2
10	90001-0616-03A0		HEXAGON SOCKET FLANGE FACE BOLT - SMALL SERIES		2
11	51143-YGC0110-H7A0		PLATE, BOTTOM		1
12	90001-0612-03A0		HEXAGON SOCKET FLANGE FACE BOLT - SMALL SERIES		16
13	71116-YFA0110-01A0		COUPLING BOLT		2
14	90412-YBW0110-Q2A0		FLAT WASHER		2
15	90412-YBW0210-01A0		FLAT WASHER		4
16	90419-YBW0110-H7A0		DISC WASHER		4
17	90001-0845-01A0		HEXAGON SOCKET FLANGE FACE BOLT - SMALL SERIES		2
18	54122-YFA0111-0BA0		HANDLE TUBE CONNECTING SEAT 2		1

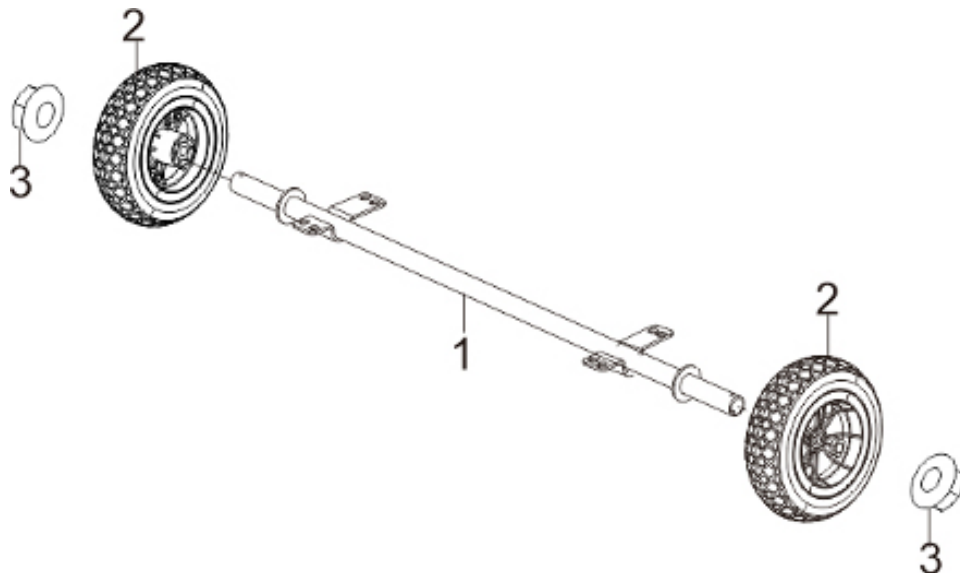
Pos.	Delennr. original	Delennr. MEGA	Beskrivelse ENG	Beskrivelse NOR	Antall
19	54122-YFA0211-0BA0		HANDLE TUBE CONNECTING SEAT 2		1
20	90001-0810-01A0		HEXAGON SOCKET FLANGE FACE BOLT - SMALL SERIES		2
21	54110-YGC0110-H7A0		HANDLE TUBE ASSY		1
22	54101-Y020210-00A0		SLEEVE, HANDLE RUBBER		2
24	54113HYGC0110-00A0		SEAT, HANDLE TUBE CONNECTING		1
25	54113HYGC0210-00A0		SEAT, HANDLE TUBE CONNECTING		1
26	90305-0800-33A0		HEXAGON NUT WITH FLANGE		2
27	90007-0825-A3A0		BOLT		2
28	31110-Y030610-00A0		BATTERY		1
29	31112HYH30111-00A0		WIRE, ANODE		1
30	31114HYH30310-00A0		WIRE, CATHODE		1
31	31130-YGC0210-H7A0		CASE, BATTERY		1
32	90001-0612-03A0		BOLT		2
33	31115-YBW0110-00A0		BAND, BATTERY		1
34	17003-YFA0110-H7A0		SUPPORT, ATR CLEANER		1
35	90001-0620-03A0		BOLT		4
39	16601-Y2V0210-00A0		SLEEVE, FUEL TANK RUBBER		6
40	90306-1000-31A0		BOLT		4
41	50035-YGC0110-00A0		BUFFERING PAD SUPPORT		1





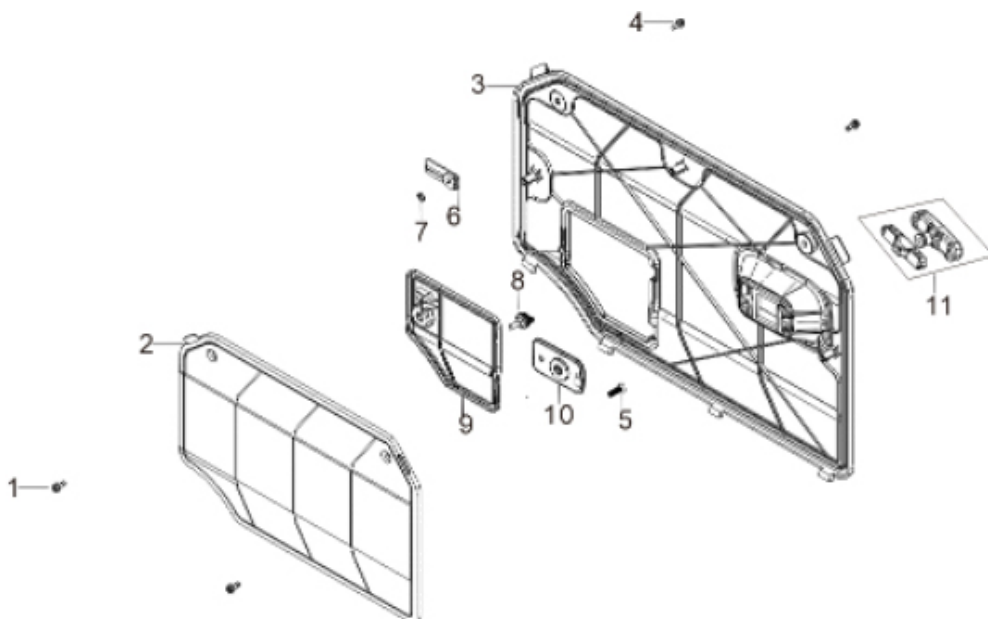
## ENDEDEKSEL MED KONTROLLPANEL

Pos.	Delennr. original	Delennr. MEGA	Beskrivelse ENG	Beskrivelse NOR	Antall
1	90001-0620-03A0		HEXAGONAL STEP BOLT		6
2	35680-YGC0110-Q200		SEAT, PANEL		1
3	90103-0512-53A0		CROSS-RECESSED PAN HEAD SCREW		6
4	35610-YN52710-H7A0		PANEL SUBASSEMBLY, CONTROL		1
5	90103-0416-51A0		CROSS-RECESSED PAN HEAD SCREW		1
6	35643-Y5V0110-Q2A0		KNOB		1
7	90129-0416-01A0		CROSS-RECESSED COUNTERSUNK HEAD TAPPING SCREW		3
8	35160-YN50210-00A0		SWITCH SUBASSEMBLY		1
9	90543-0500-00A0		BALL, STEEL		1
10	16527-Y2V0210-00A0		SPRING, STOPPER ADJUSTING		1
11	94111-Y2V0410-00A1		COVER PLATE		1
12	16750-Y2V0141-00A0		COCK ASSY, FUEL		1
13	90001-0612-01A0		BOLT		1
14	90686-YBW0310-00M1		TUBE, FUEL		1
16	90685-Z120110-00A0		PIPE CLAMP		2
17	31123-YGC0110-Q2A0		BATTERY COVER		1
18	35632-YBW0210-0000				1
19	35220-Y3Y0110-0000		STARTING SWITCH		1
20	35646-YB10110-0000				1
21	30008-YBS0410-0000		CONTROL MODULE		1
22	31234-Y020110-0000		PROTECTOR, OVERCURRENT		1
23	35619-Y2V0110-0000		SOCKET SUBASSEMBLY, D.C		1
24	35619-Y9T0210-0000		SOCKET SUBASSEMBLY, D.C		1
25	35645-Y120110-0000		BREAKER, SINGLE-POLE CIRCUIT		1
26	35614-Y240310-0000		SOCKET SUBASSEMBLY, POWER SUPPLY		1
27	31234-YCK0110-0000		PROTECTOR, OVERCURRENT		2
28	35614-Y020110-0000		SOCKET SUBASSEMBLY, POWER SUPPLY		2
29	35621-Y020110-0000		BRIDGE, RECTIFICATION		1
30	30007-Y9X0110-0000		CHARGER MODULE		1
31	35160-YOG0110-0000		SWITCH SUBASSEMBLY		1
32	35660-YKT0110-00A0		HARNESS, CONTROL PANEL WIRING		1
33	90208-YB00210-00A0		HEXAGONAL STEP BOLT		1



## HJUL

Pos.	Delennr. original	Delennr. MEGA	Beskrivelse ENG	Beskrivelse NOR	Antall
1	44020-YGC0210-H7B0		SHAFT, FRONT WHEEL		1
2	44110-YGC0110-00B0		WHEEL, FRONT		2
3	90305-1000-33A0		HEXAGON NUT WITH FLANGE		2



## SIDEDEKSEL

Pos.	Delennr. original	Delennr. MEGA	Beskrivelse ENG	Beskrivelse NOR	Antall
1	90001-0612-03A0		HEXAGON SOCKET FLANGE FACE BOLT - SMALL SERIES		2
2	80092-YGC0110-R8A0		LEFT HOUSING COVER PLATE		1
3	80096-YGC0110-R8A0		RIGHT APPEARANCE COVER PLATE		1
4	90001-0612-03A0		HEXAGON SOCKET FLANGE FACE BOLT - SMALL SERIES		2
5	90104-0512-53A0		BOLT		1
6	24329-YCF0110-Q2A0		STOPPER		1
7	37073-Y2V0110-00A0		SPRING CLAMP		1
8	80105-YB00110-Q2A0		SPARK PLUG ACCESS DOOR KNOB		1
9	51197-YGC0110-R8A0		RIGHT ACCESS DOOR		1
10	28004-YB00110-Q2A0		GUIDE SUBASSEMBLY, STARTING ROPE		1
11	28210-Y2V0110-00A0		HANDLE, RECOIL STRATER CABLE		1